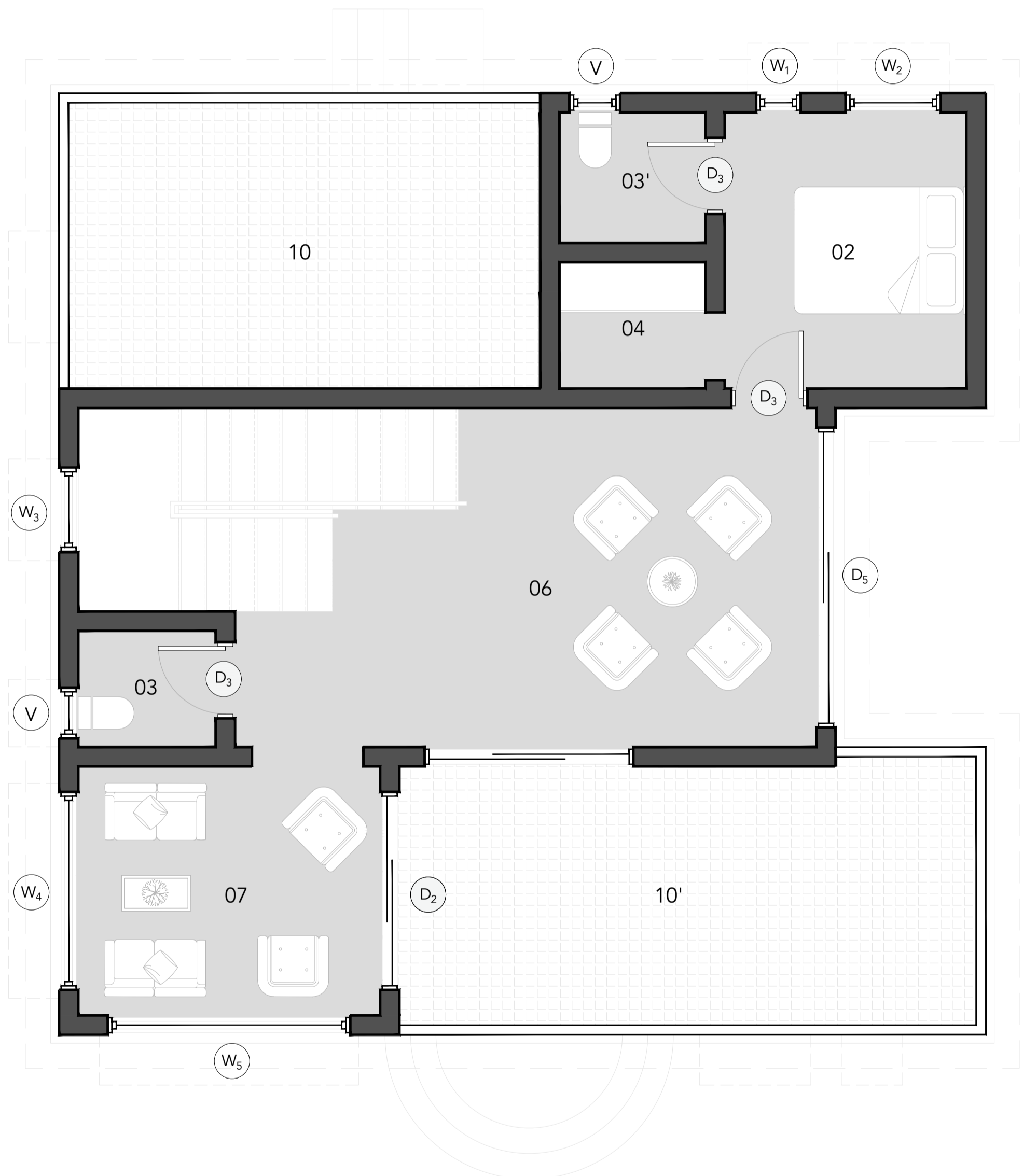


GROUND FLOOR



FIRST FLOOR

LEGEND

- Brick Walls
0.23M THICKNESS
- W₁ Window | Type 01
0.60M WIDE
- W₂ Window | Type 02
1.10M WIDE
- W₃ Window | Type 03
1.0M WIDE
- W₄ Window | Type 04
2.35M WIDE
- W₅ Window | Type 05
2.80M WIDE
- V Vent
0.60M WIDE
- D₁ Door | Type 01
2.20M WIDE | DOUBLE DOOR
- D₂ Door | Type 02
2.35M WIDE | SLIDING DOOR
- D₃ Door | Type 03
0.90M WIDE | SINGLE DOOR
- D₄ Door | Type 04
0.70M WIDE | SINGLE DOOR
- D₅ Door | Type 05
3.50M WIDE | SLIDING DOOR

- 01 Kitchen
3.50m x 3.30m
- 02 Bedroom
2.80m x 3.30m
- 03 Toilet
1.65m x 1.40m
- 03' Toilet
1.70m x 1.50m
- 04 Closet
1.70m x 1.50m
- 05 Utility Room
1.65m x 2.15m
- 06 Family Living
4.20m x 4.0m
- 07 Formal Living
3.60m x 3.0m
- 08 Foyer
3.0m x 3.0m
- 09 Office
3.45m x 3.0m
- 10 Balcony
5.60m x 3.40m
- 10' Balcony
6.80m x 3.0m

Notes:

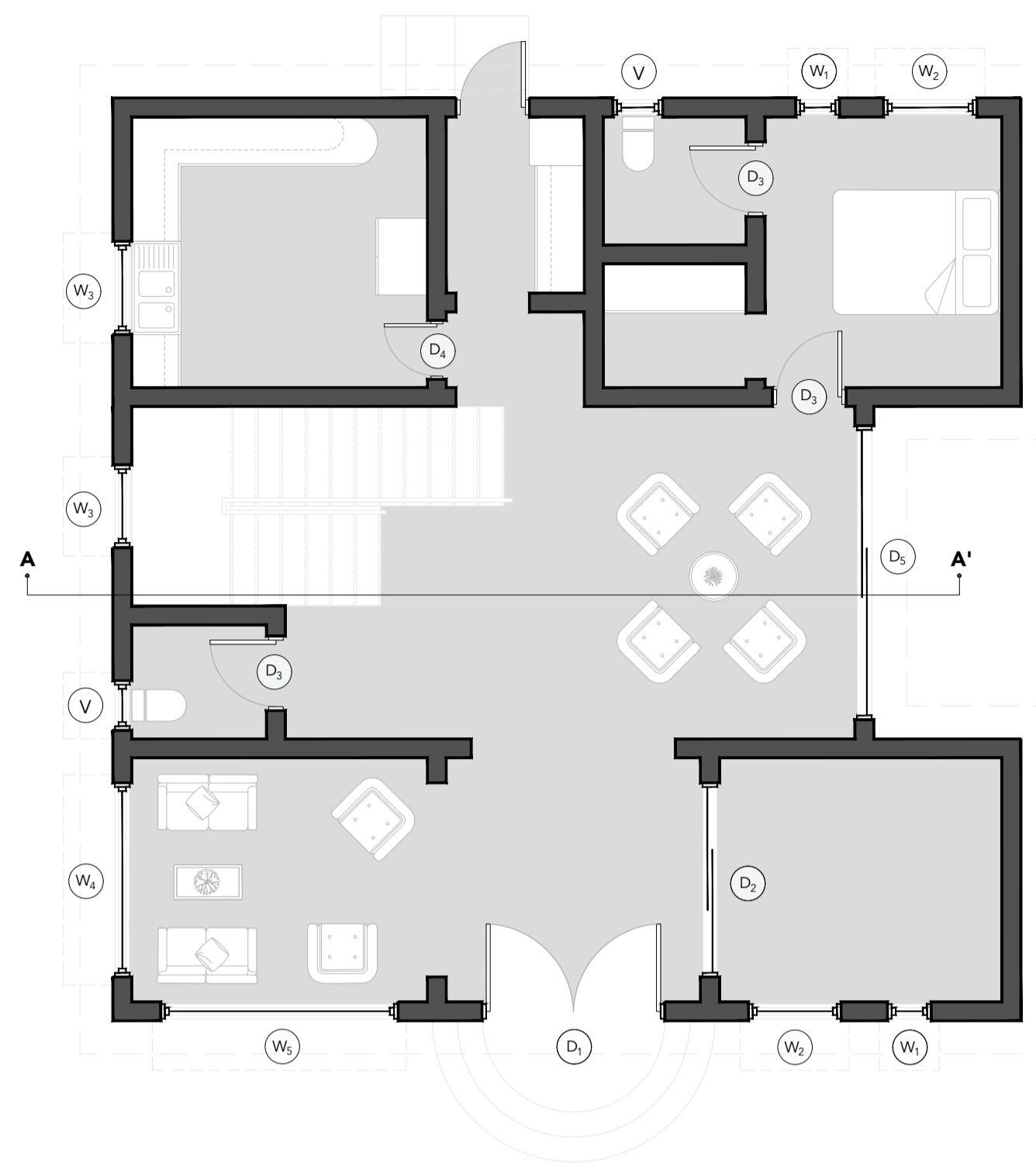
- All dimensions are in m unless specified.

**Ground +
First Floor Plans**

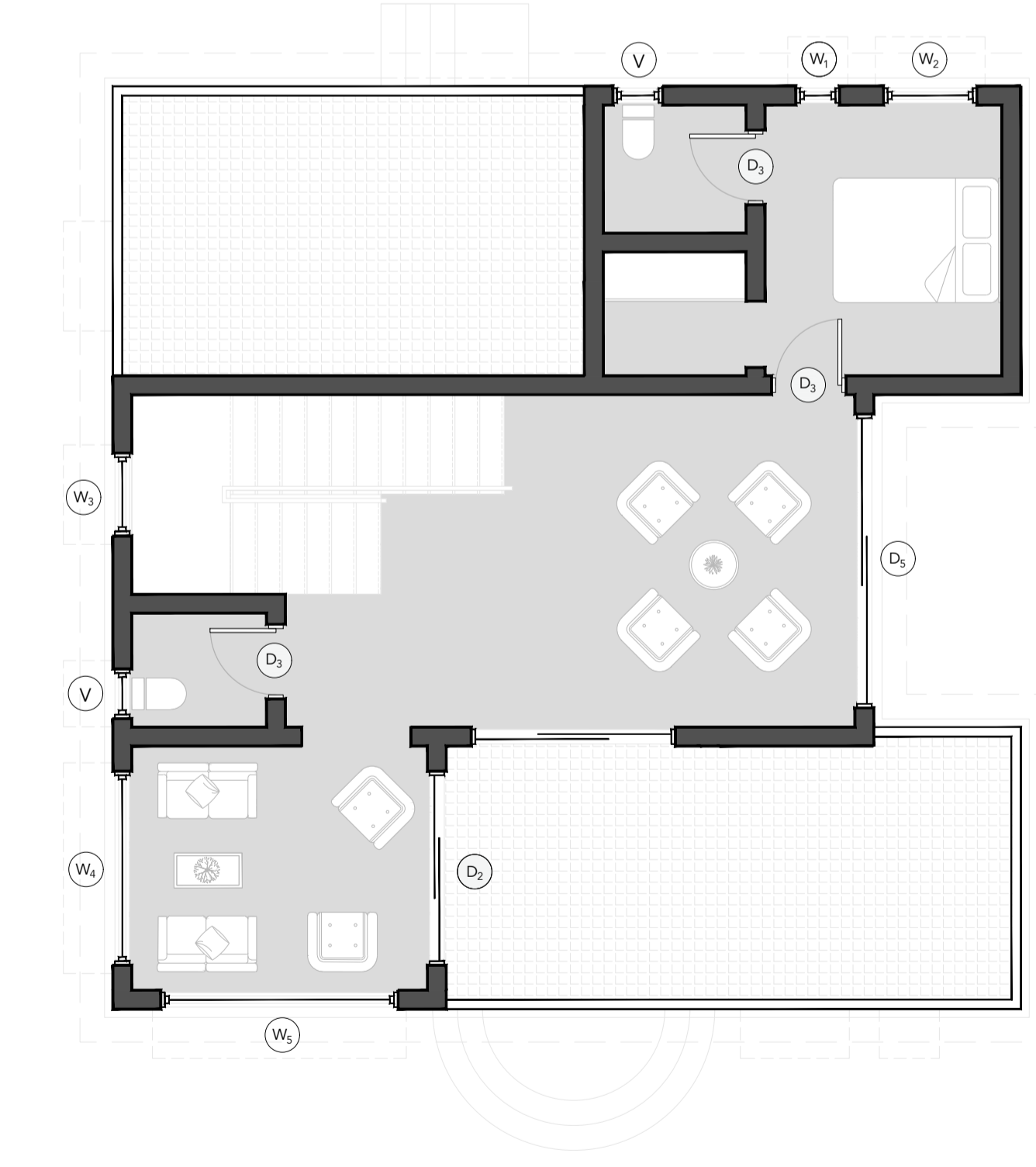
01



SOUTH ELEVATION

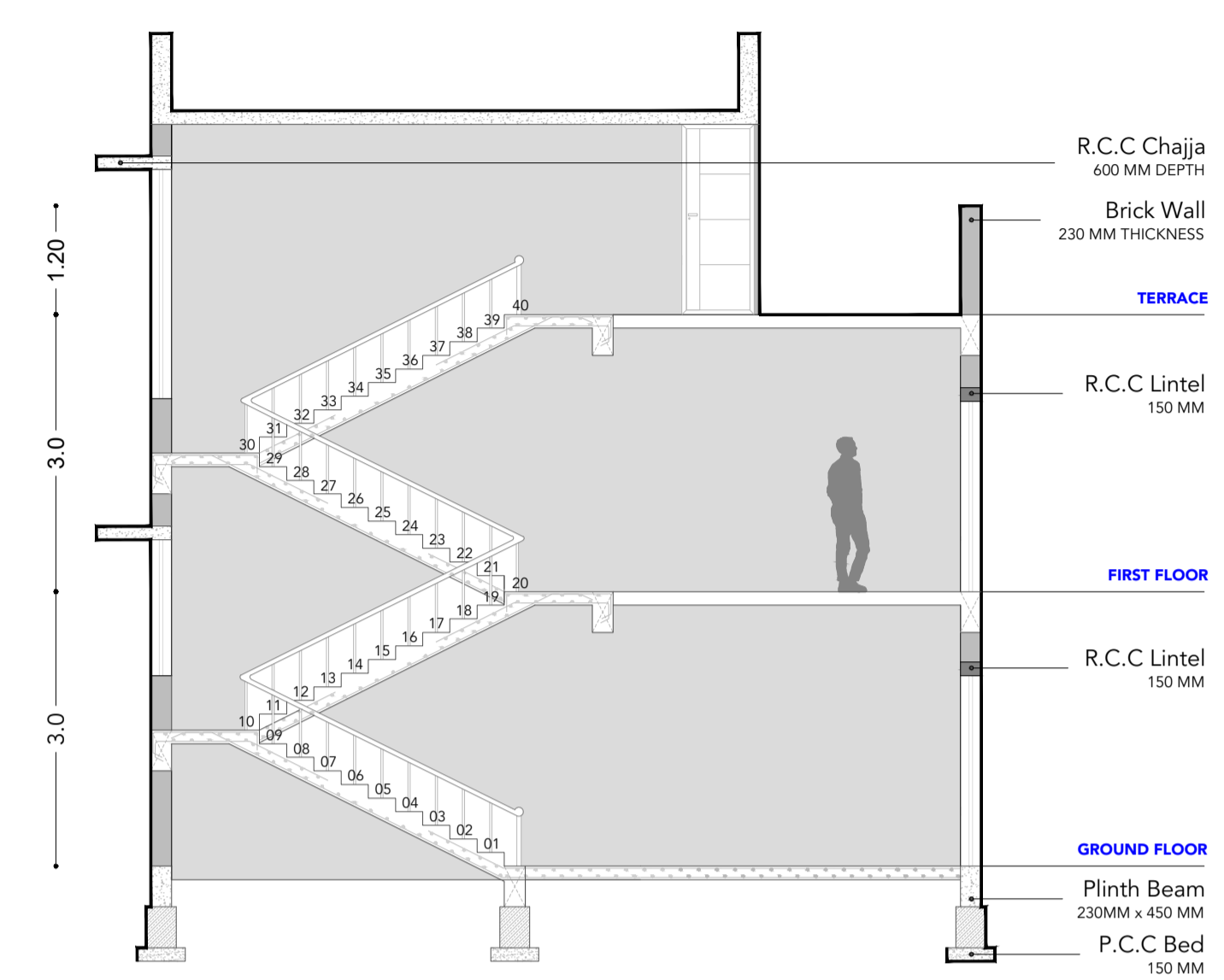


GROUND FLOOR PLAN

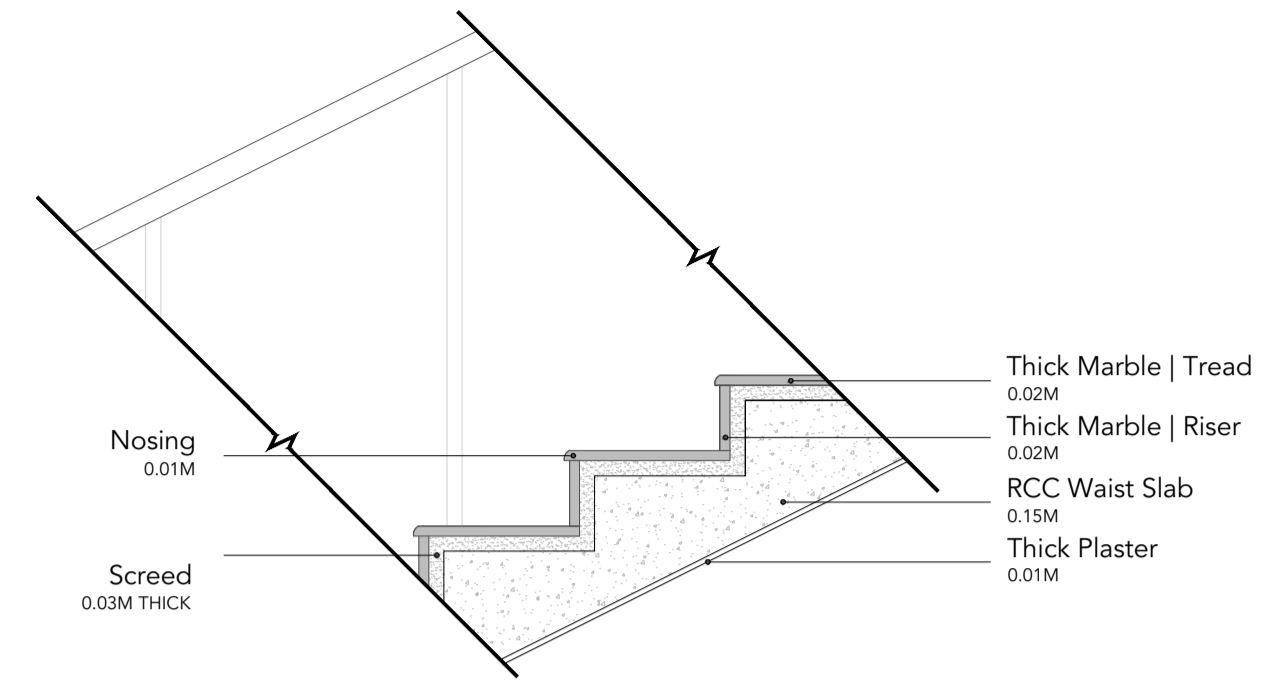


FIRST FLOOR PLAN

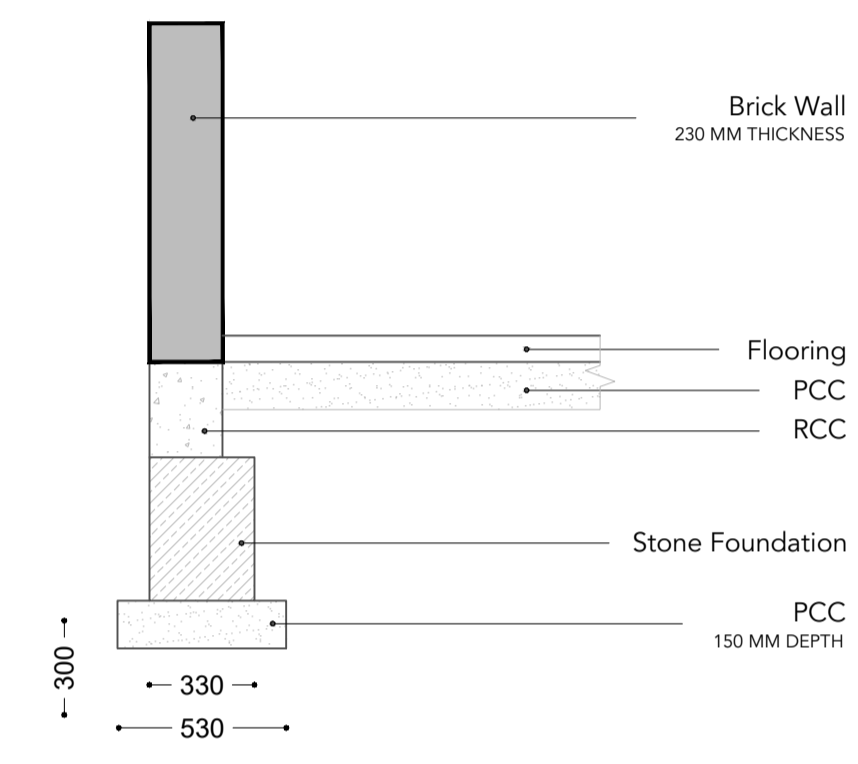
- +9.10 PARAPET LEVEL
- +8.10 PLINTH LEVEL
- +6.90 SILL LEVEL
- +6.0 TERRACE LEVEL
- +5.10 LINTEL LEVEL
- +3.90 SILL LEVEL
- +3.0 FIRST FLOOR
- +2.10 LINTEL LEVEL
- +0.90 SILL LEVEL
- +0.45 PLINTH LEVEL
- +0.0 GROUND LEVEL



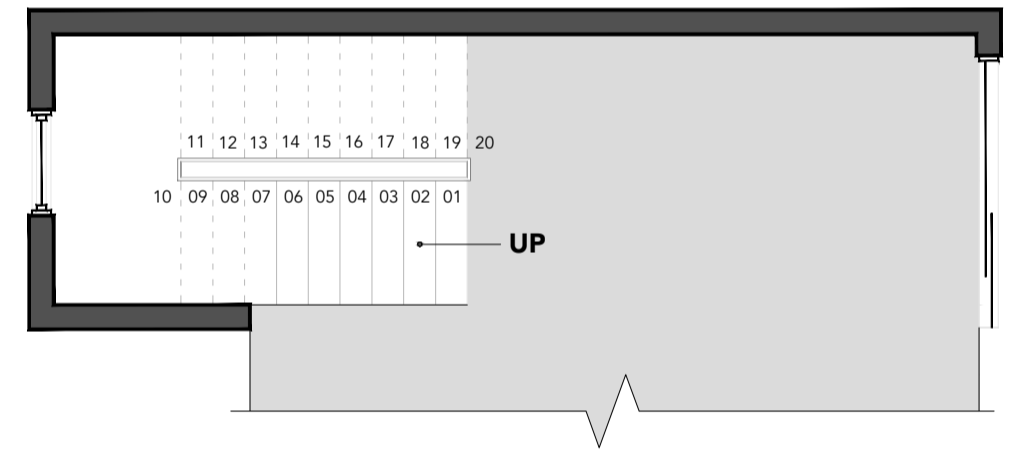
SECTION AA'



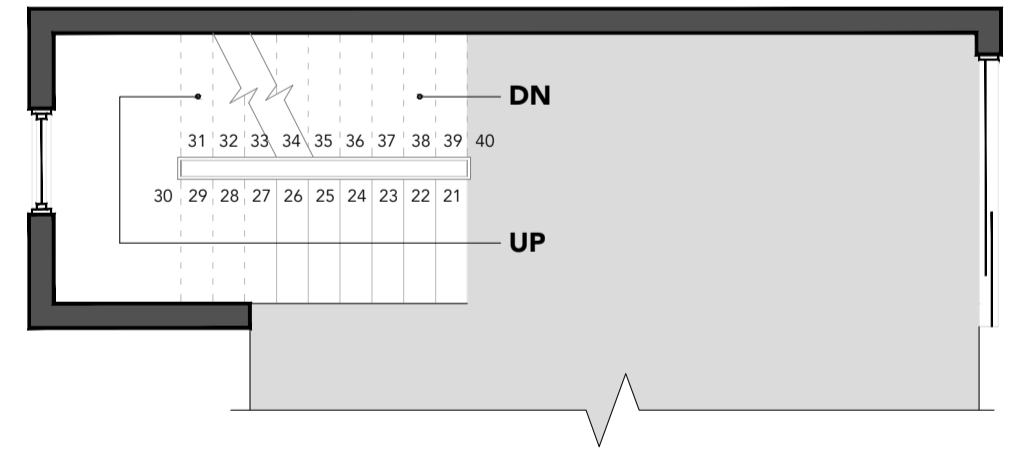
TREAD & RISER DETAILS



SECTION AT FOUNDATION



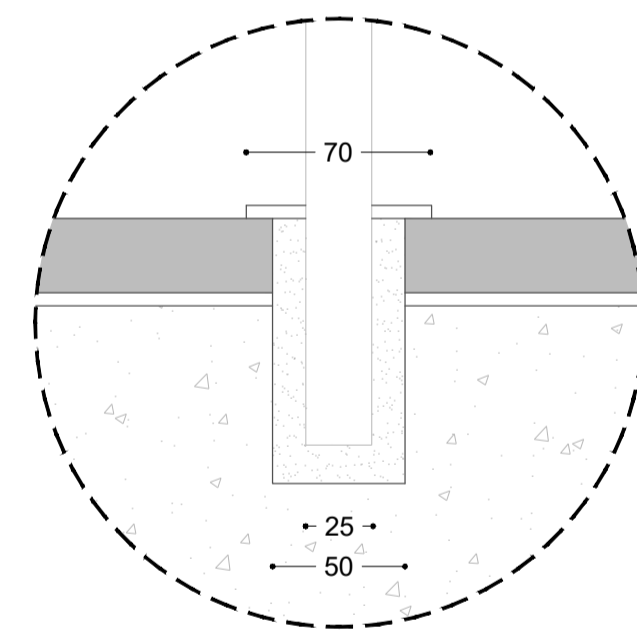
GROUND FLOOR



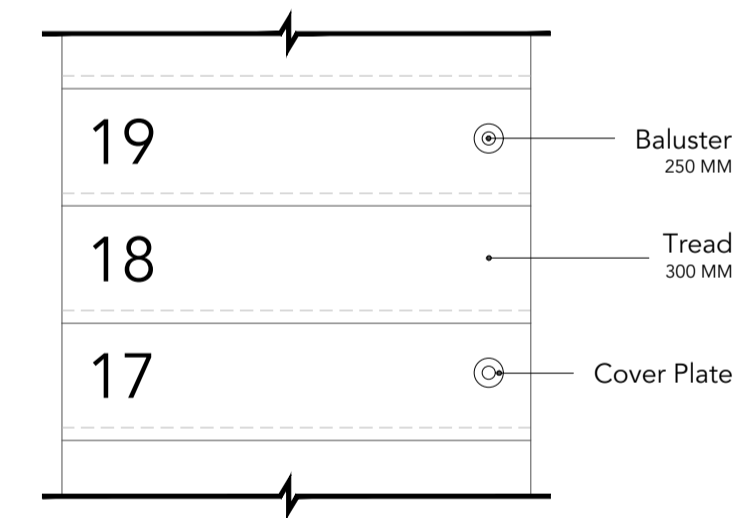
FIRST FLOOR



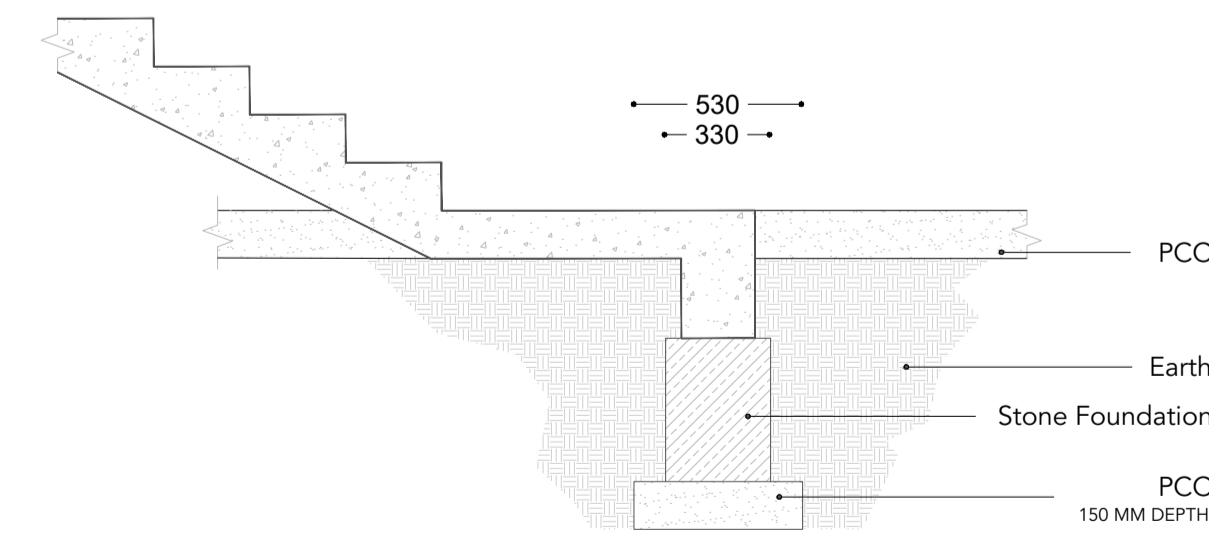
TERRACE



BALUSTER DETAILS



BALUSTER PLAN



FIRST FLOOR PLAN

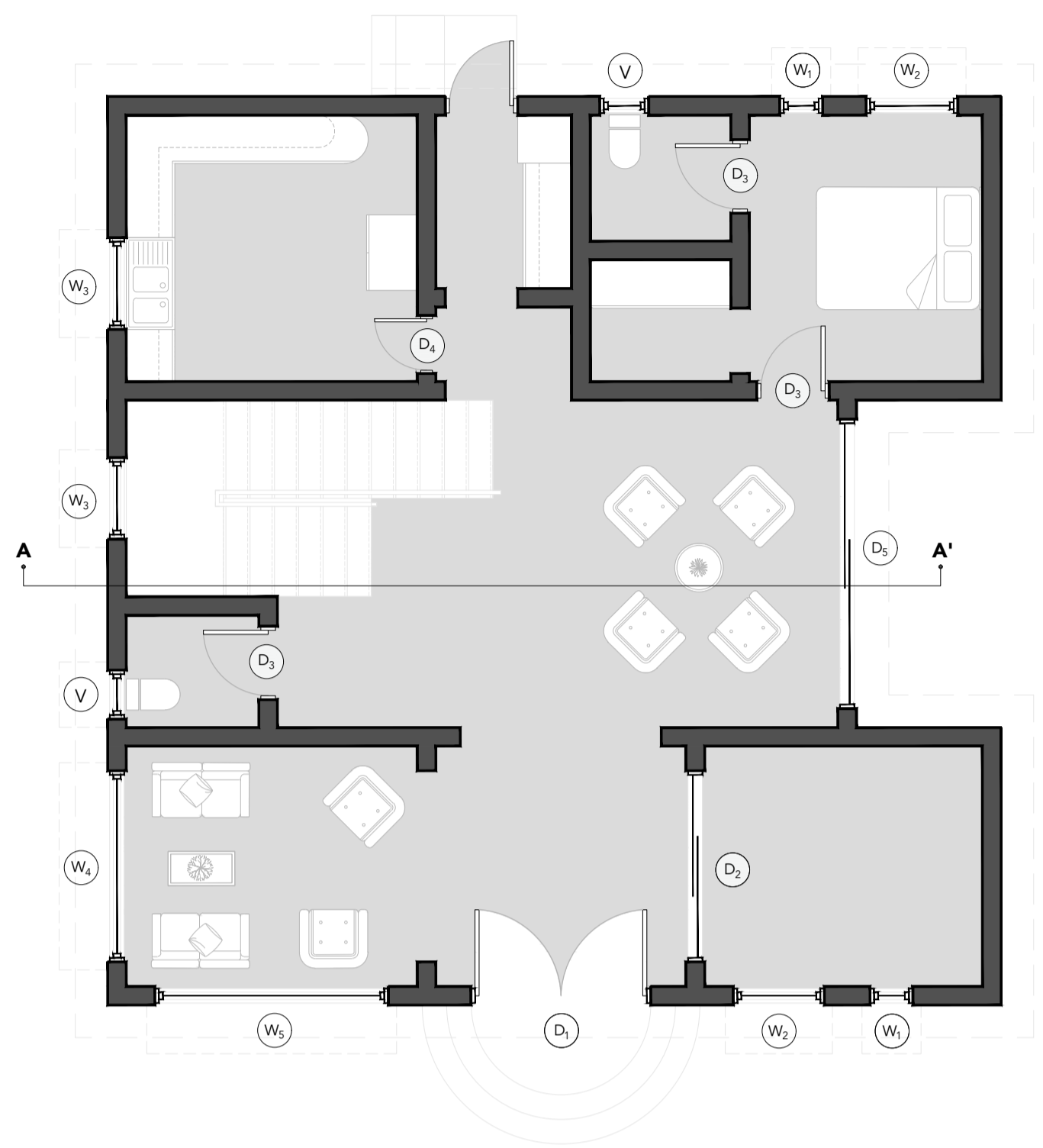
LEGEND

- Brick Walls
0.23M THICKNESS
- W₁ Window | Type 01
0.60M WIDE
- W₂ Window | Type 02
1.10M WIDE
- W₃ Window | Type 03
1.0M WIDE
- W₄ Window | Type 04
2.35M WIDE
- W₅ Window | Type 05
2.80M WIDE
- V Vent
0.60M WIDE
- D₁ Door | Type 01
2.20M WIDE | DOUBLE DOOR
- D₂ Door | Type 02
2.35M WIDE | SLIDING DOOR
- D₃ Door | Type 03
0.90M WIDE | SINGLE DOOR
- D₄ Door | Type 04
0.70M WIDE | SINGLE DOOR
- D₅ Door | Type 05
3.50M WIDE | SLIDING DOOR

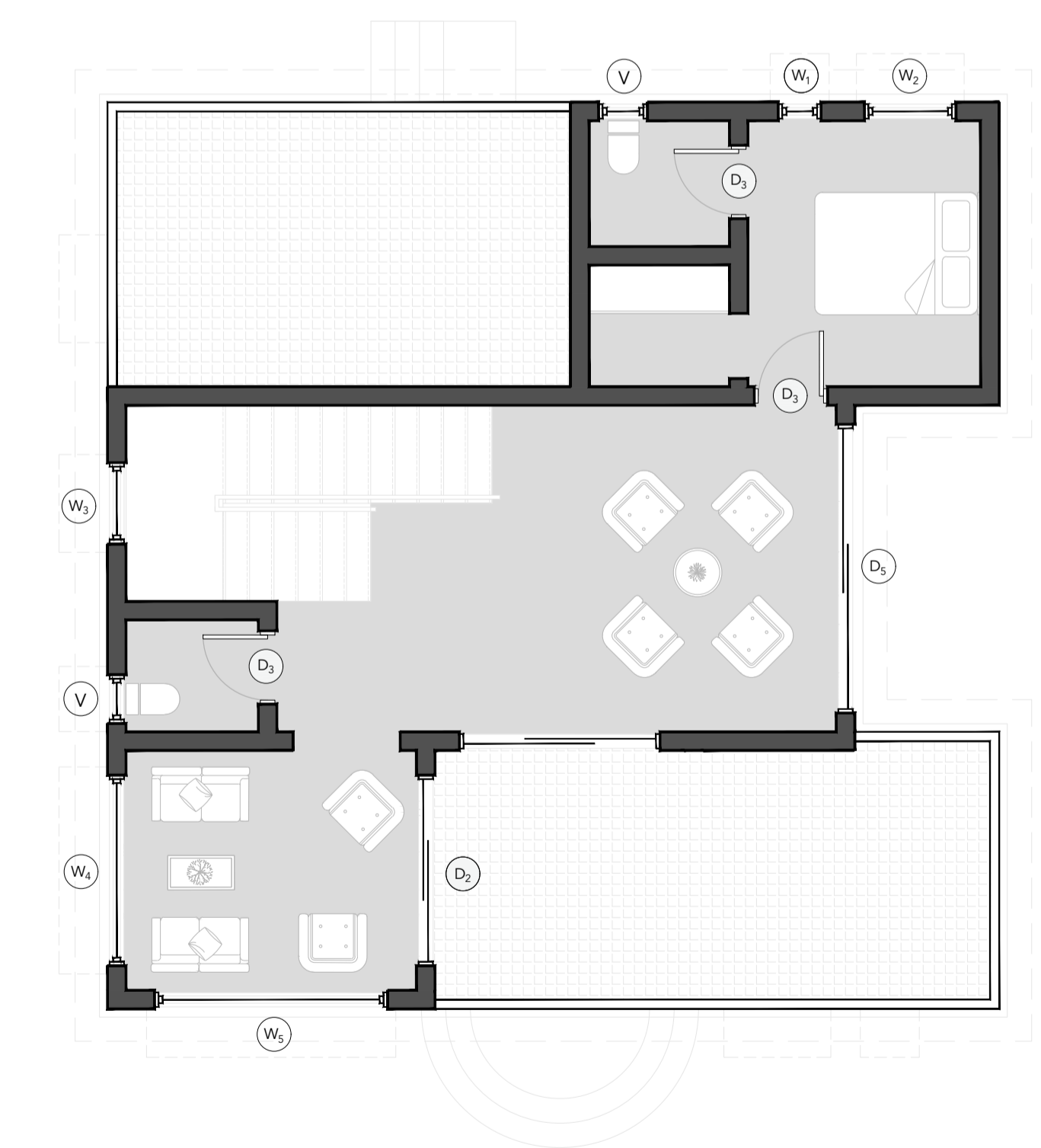
Notes:

- All dimensions are in m unless specified.

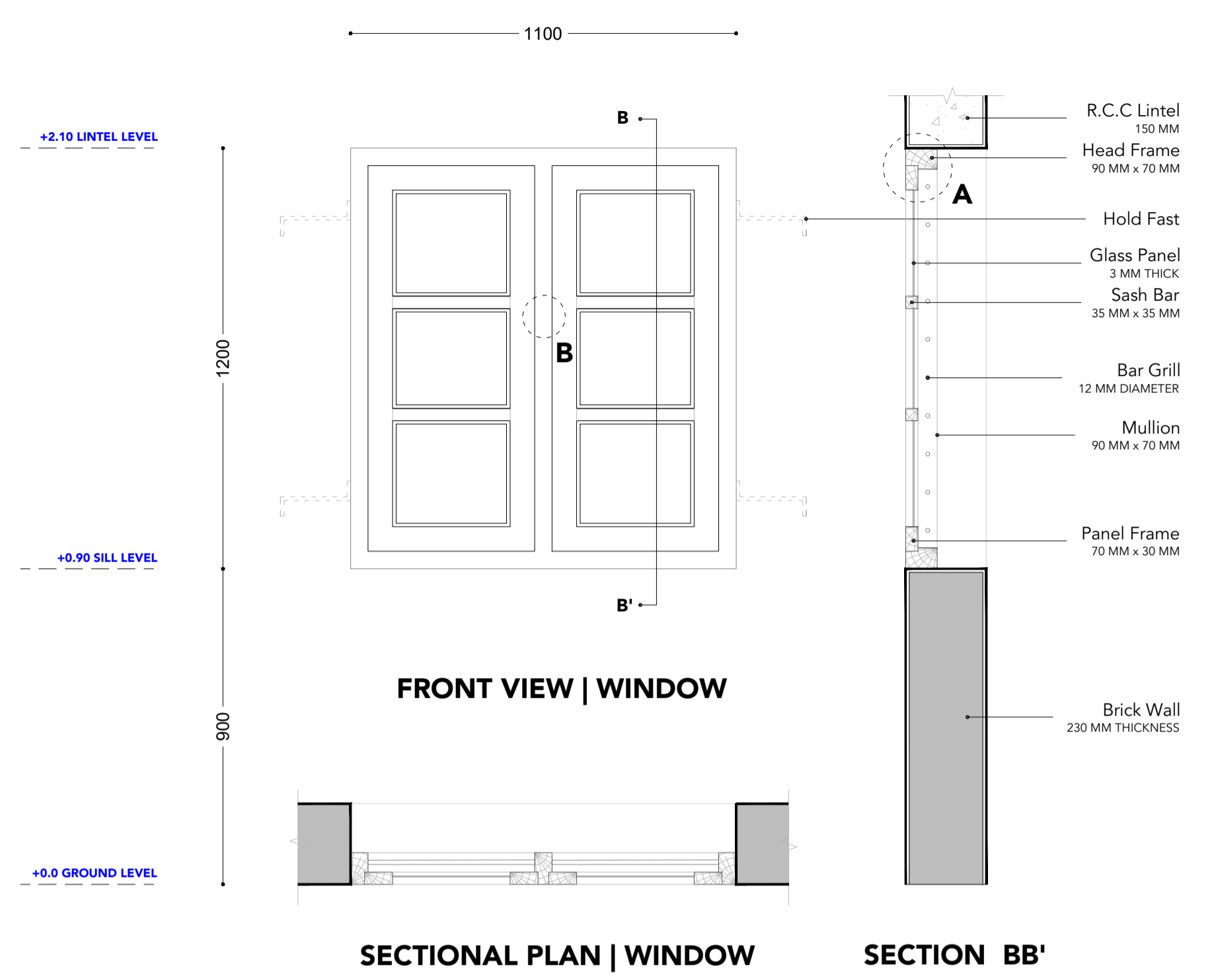
Staircase Details



GROUND FLOOR PLAN



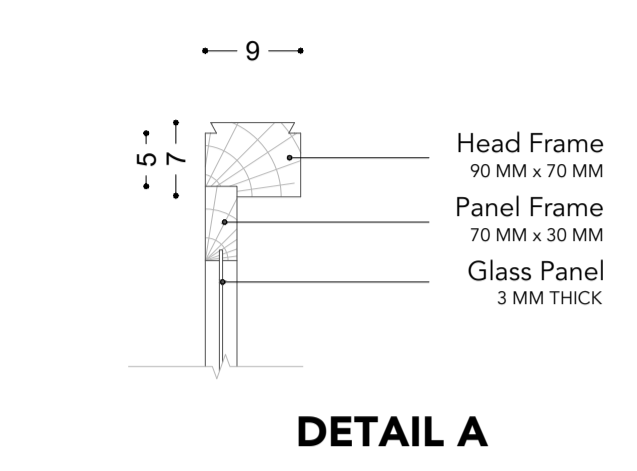
FIRST FLOOR PLAN



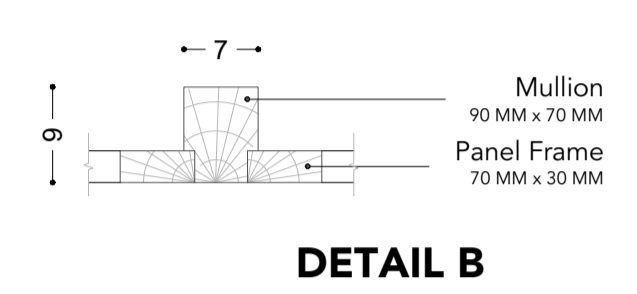
FRONT VIEW | WINDOW

SECTIONAL PLAN | WINDOW

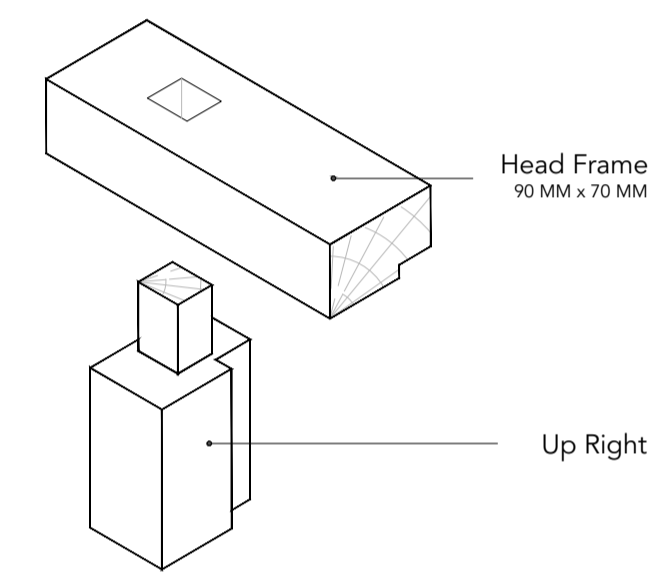
SECTION BB'



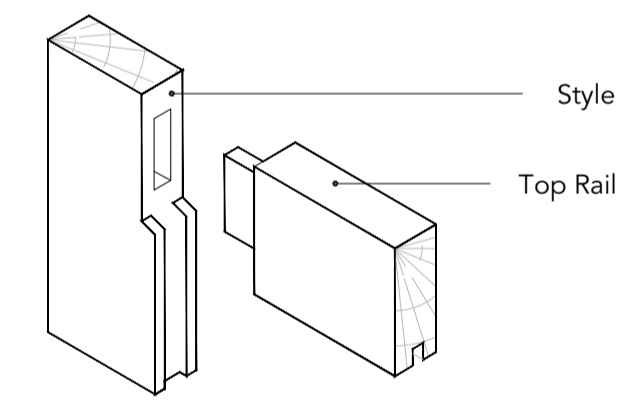
DETAIL A



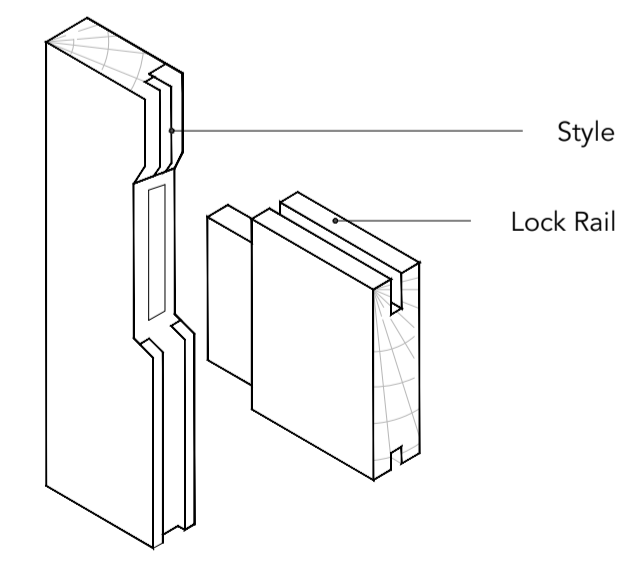
DETAIL B



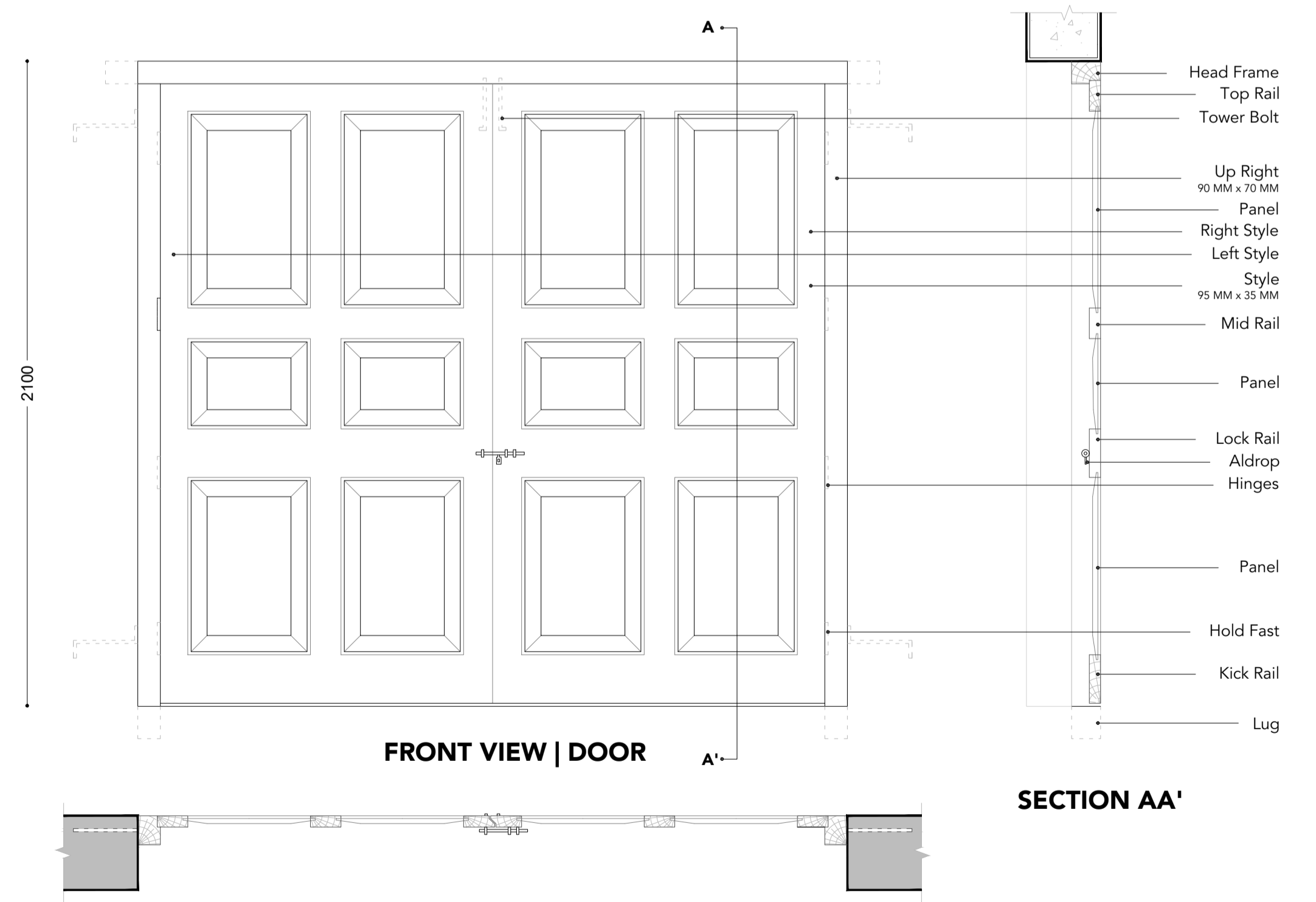
MORTISE TENON JOINT OF HEAD FRAME & UPRIGHT



JOINT OF TOP RAIL & STYLE



JOINT OF LOCK RAIL & STYLE



FRONT VIEW | DOOR

SECTIONAL PLAN | DOOR

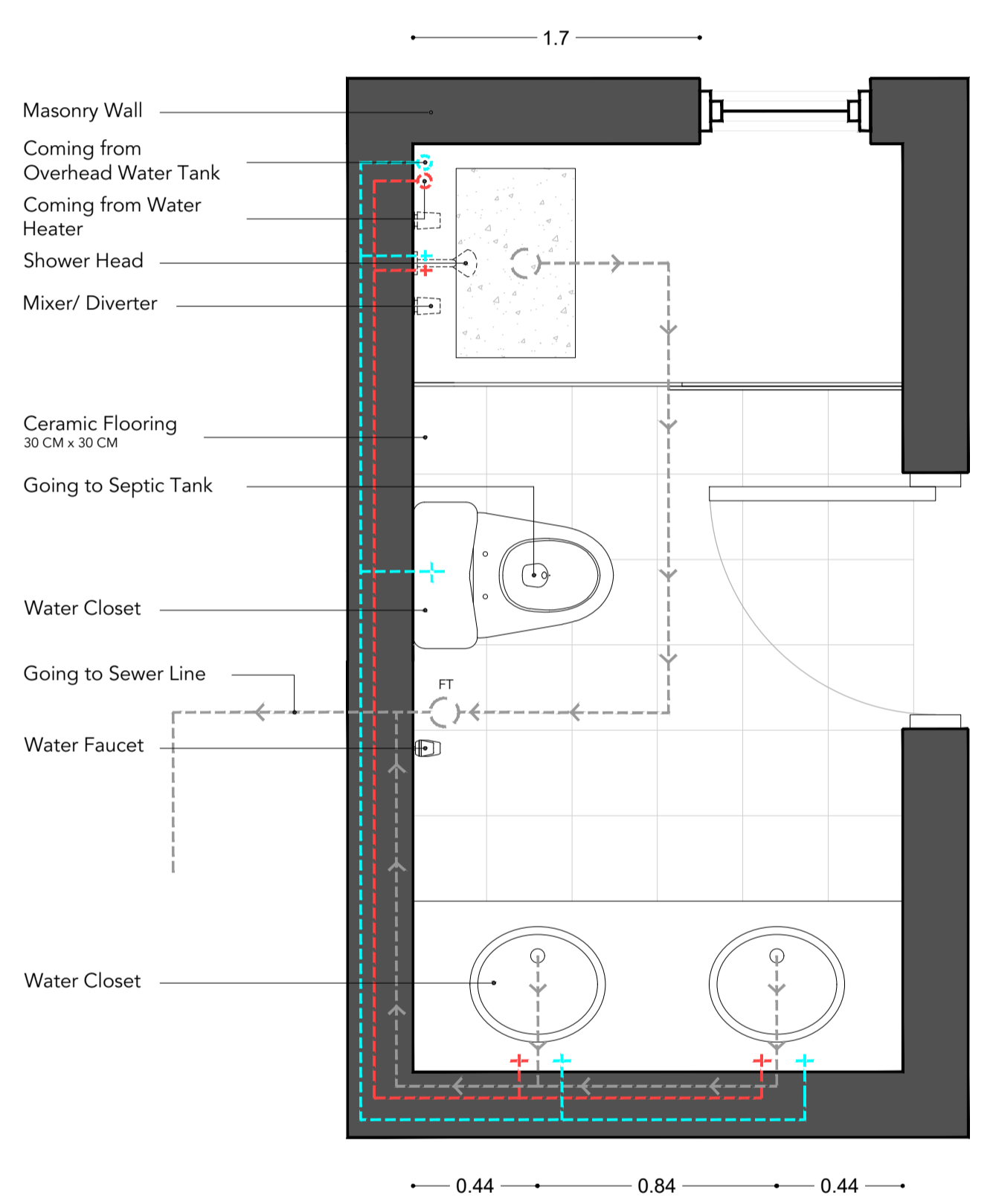
SECTION AA'

LEGEND

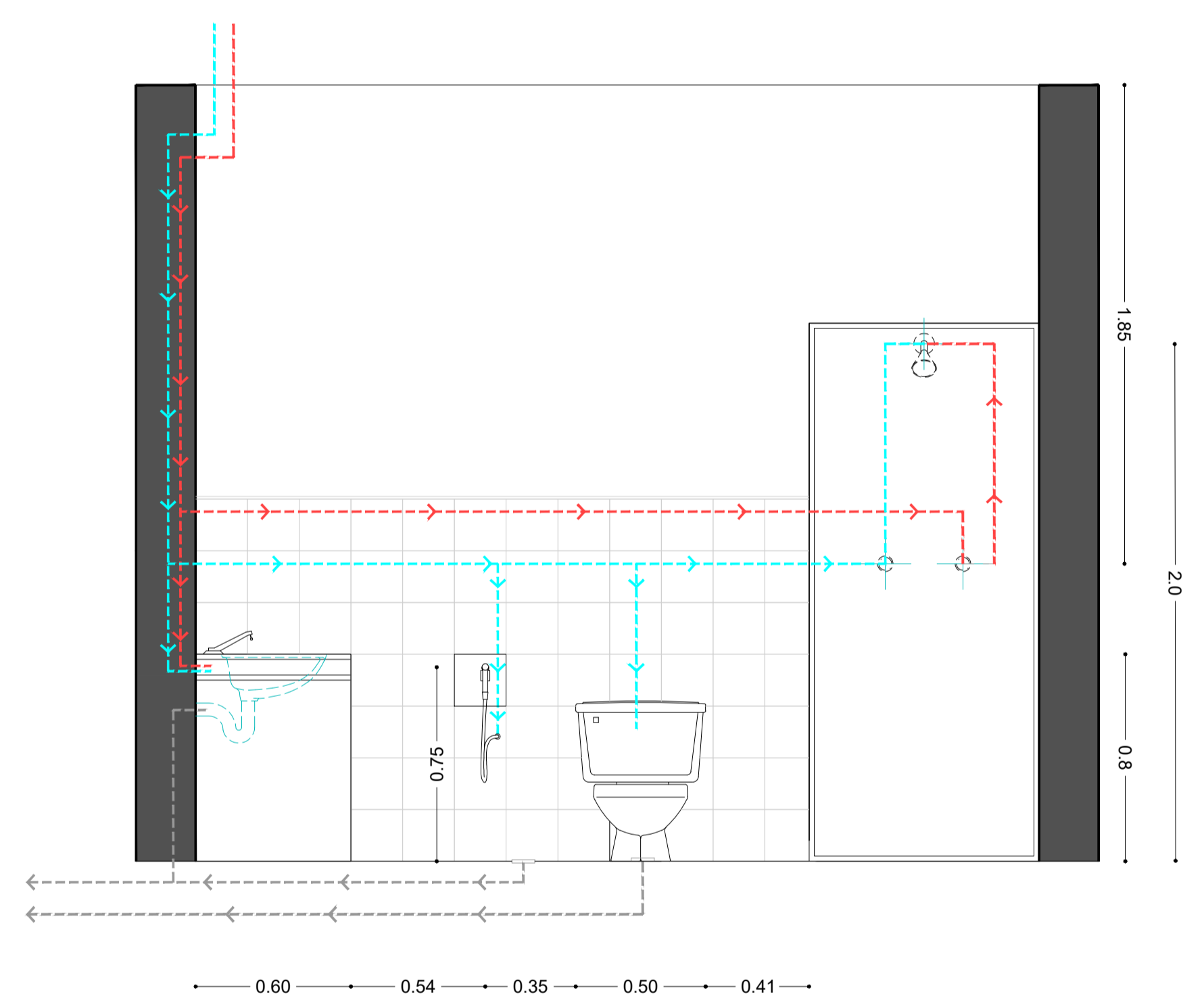
- Brick Walls
0.23M THICKNESS
- Vent
0.60M WIDE
- Window | Type 01
0.60M WIDE
- Door | Type 01
2.20M WIDE | DOUBLE DOOR
- Window | Type 02
1.10M WIDE
- Door | Type 02
2.35M WIDE | SLIDING DOOR
- Window | Type 03
1.0M WIDE
- Door | Type 03
0.90M WIDE | SINGLE DOOR
- Window | Type 04
2.35M WIDE
- Door | Type 04
0.70M WIDE | SINGLE DOOR
- Window | Type 05
2.80M WIDE
- Door | Type 05
3.50M WIDE | SLIDING DOOR

Notes:

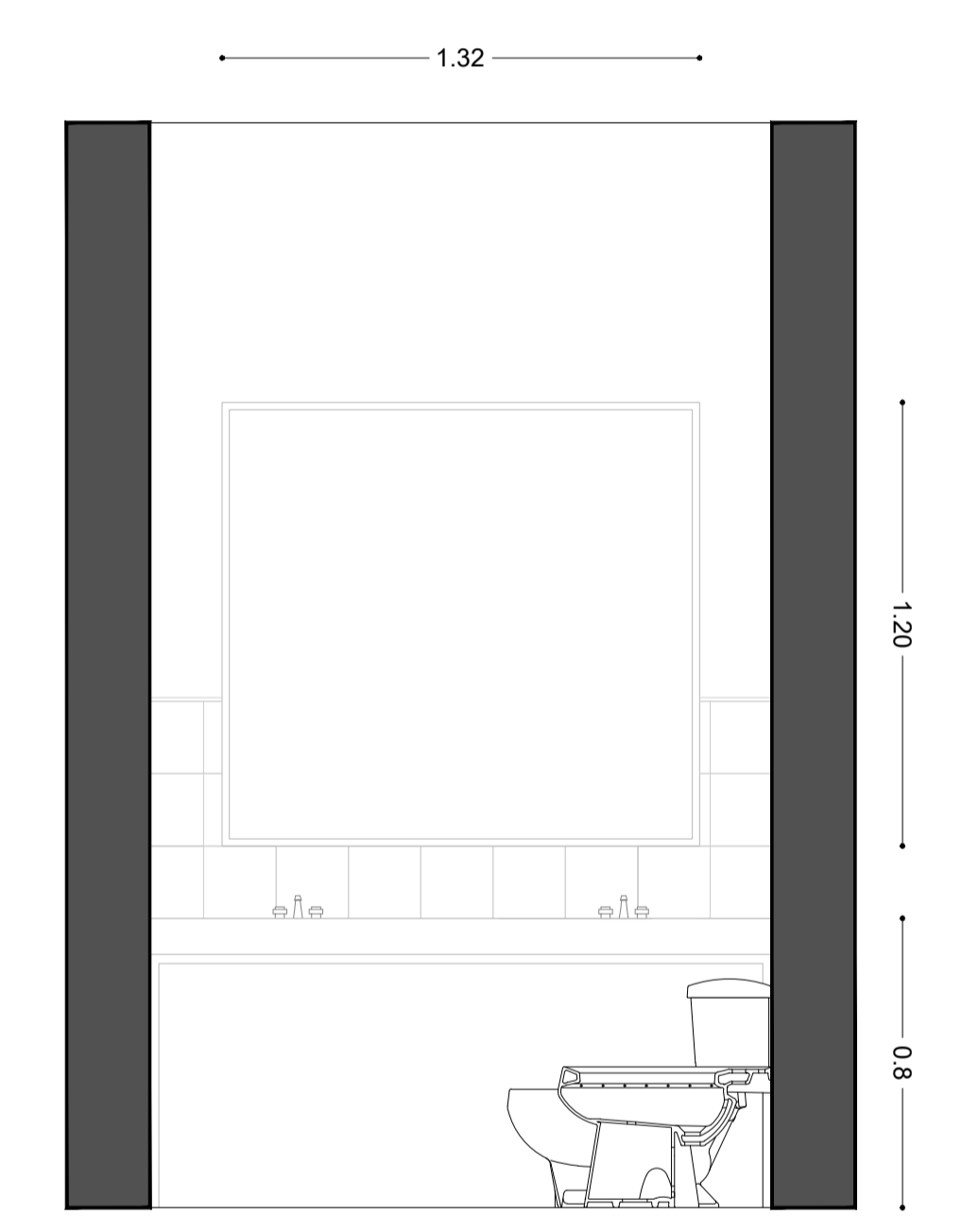
- All dimensions are in m unless specified.



PLUMBING LAYOUT



SECTION 01



SECTION 02

LEGEND

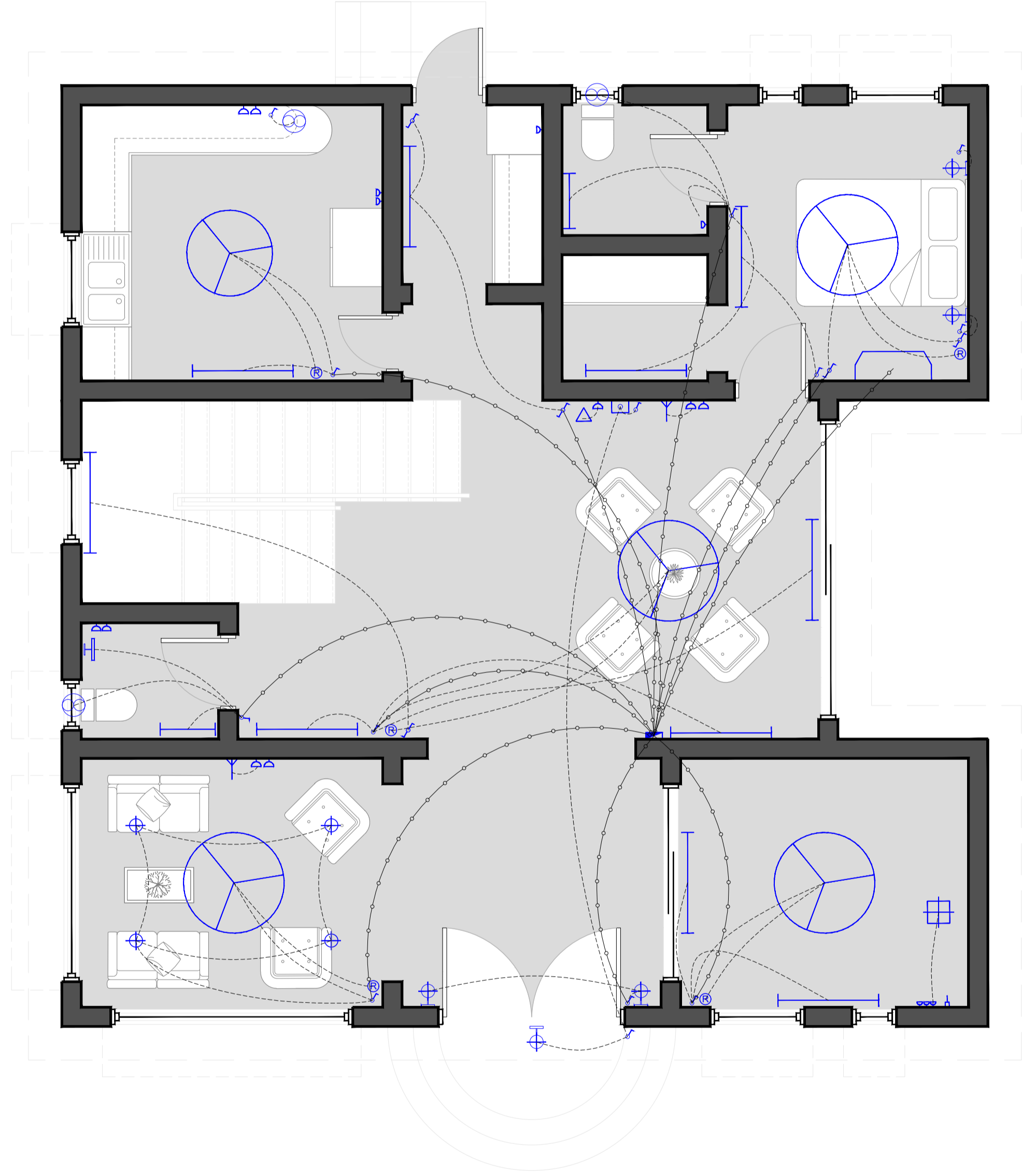
● Brick Walls
0.23M THICKNESS

Notes:

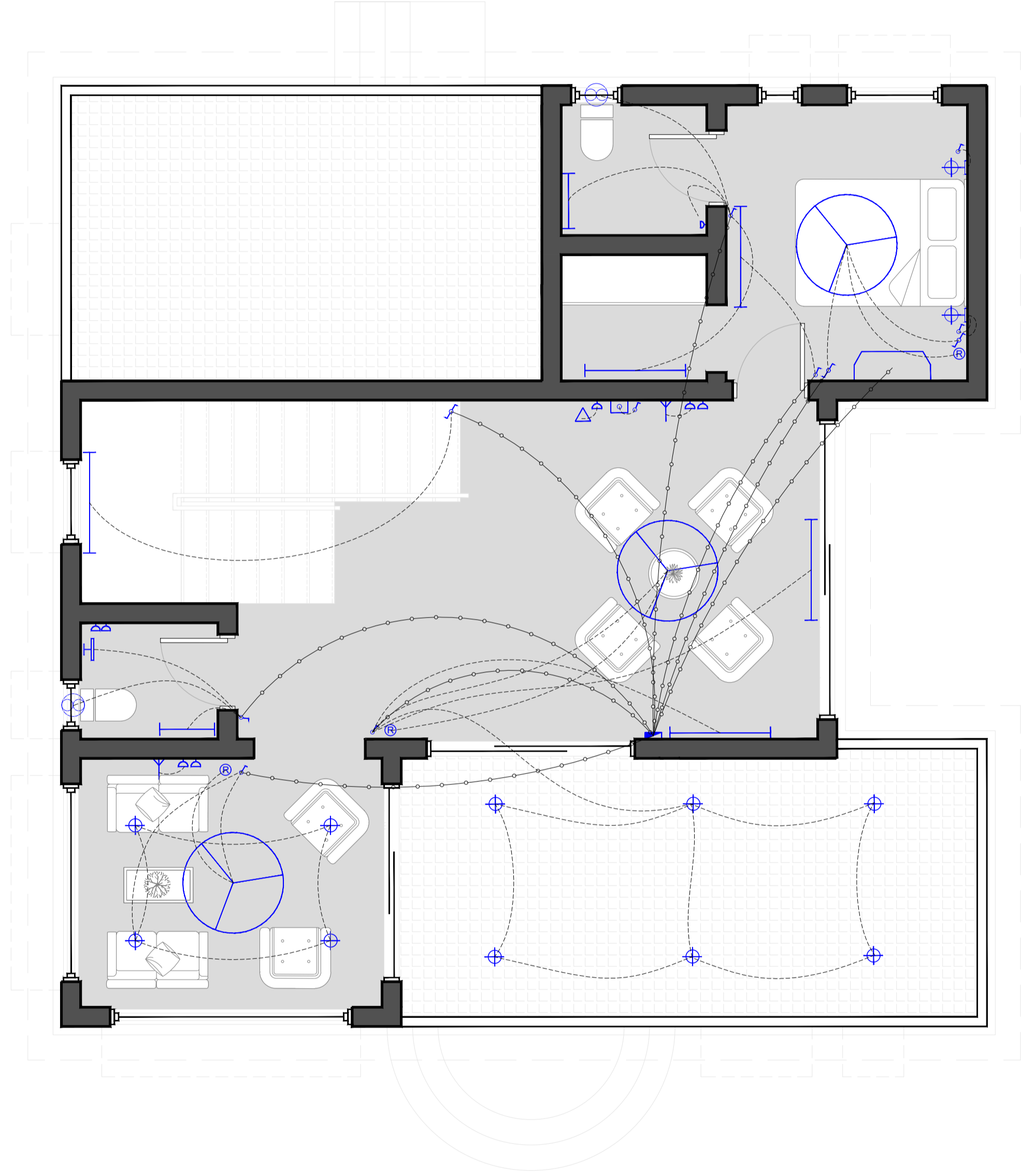
- All dimensions are in m unless specified.

**Toilet
Details**

05



GROUND FLOOR



FIRST FLOOR

LEGEND

- | | |
|-------------------------------------|-------------------------------------|
| Single Gang Switch
HEIGHT : 1.2M | Ceiling Light
HEIGHT : 3M |
| Double Gang Switch
HEIGHT : 1.2M | Telephone Socket
HEIGHT : 0.6M |
| Air Conditioner
HEIGHT : 1.8M | Exhaust Fan
HEIGHT : 2.1M |
| Single Socket
HEIGHT : 1.2M | Tube Light
HEIGHT : 2.7M |
| Door Bell
HEIGHT : 1.2M | Mirror Lamp
HEIGHT : 1.6M |
| Ceiling Fan
HEIGHT : 3M | TV |
| LAN Port
HEIGHT : 0.6M | Floor Lamp |
| Regulator
HEIGHT : 1.2M | Wall Bracket Light
HEIGHT : 2.7M |

Notes:

- All dimensions are in m unless specified.